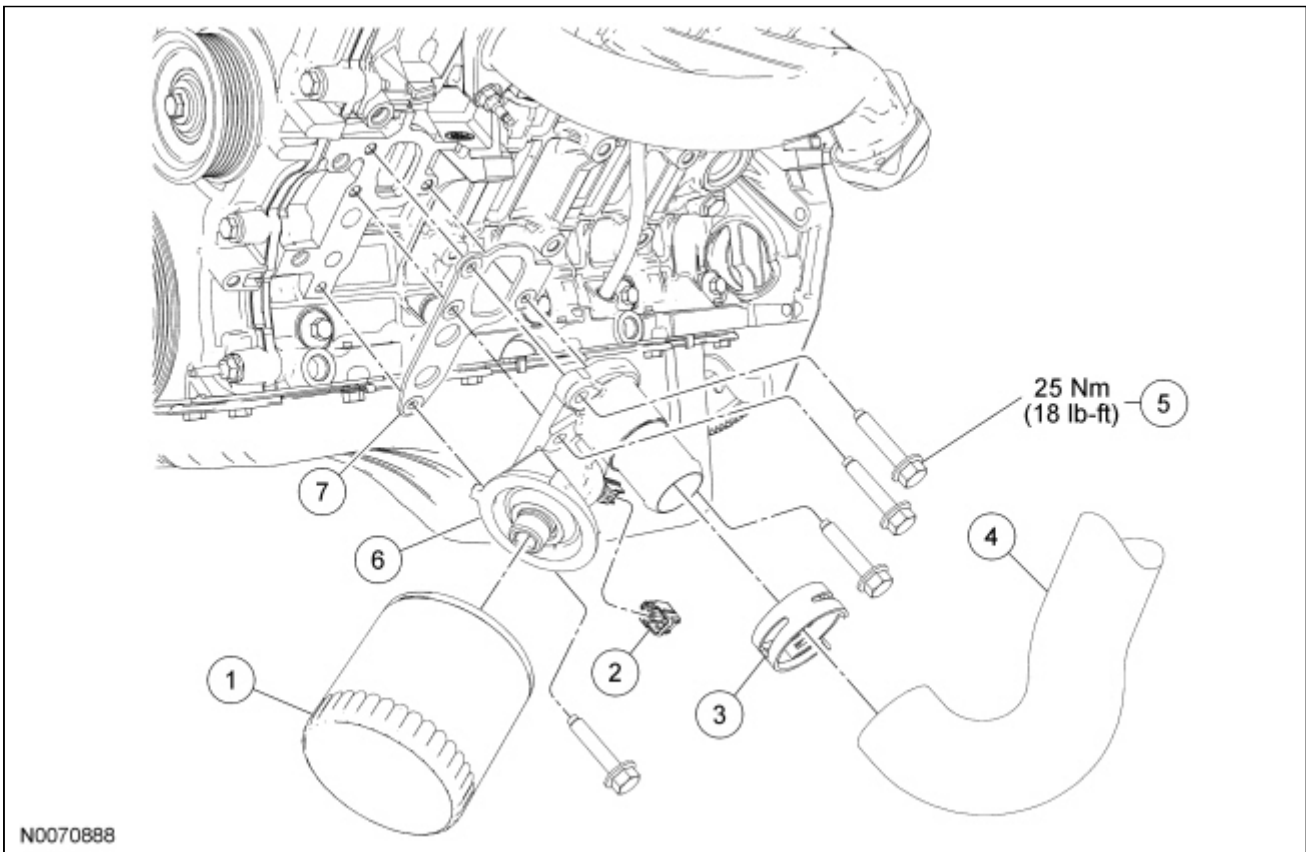


Oil Filter Adapter

Material

Item	Specification
Motorcraft® Metal Surface Prep ZC-31-A	—
Motorcraft® SAE 5W-20 Premium Synthetic Blend Motor Oil XO-5W20-QSP (US); Motorcraft® SAE 5W-20 Super Premium Motor Oil CXO-5W20-LSP12 (Canada); or equivalent	WSS-M2C930-A
Silicone Gasket Remover ZC-30	—



N0070888

Item	Part Number	Description
1	6714	Oil filter
2	14A464	Engine Oil Pressure (EOP) switch electrical connector (part of 12B637)
3	15161	Hose clamp
4	8B273	Thermostat housing-to-oil filter adapter hose
5	N806156	Oil filter adapter bolt (4 required)
6	6881	Oil filter adapter
7	6A636	Oil filter adapter gasket

Removal and Installation

1. With the vehicle in NEUTRAL, position it on a hoist. For additional information, refer to [Section 100-02](#).
 2. Drain the engine cooling system. For additional information, refer to [Section 303-03A](#).
 3. Drain the engine oil.
 - Install the drain plug and tighten to 26 Nm (19 lb-ft).
 4. Disconnect the Engine Oil Pressure (EOP) switch electrical connector.
 5. Disconnect the lower radiator-to-oil filter adapter hose and position it aside.
 6. Remove and discard the engine oil filter.
 - To install, lubricate the oil filter gasket with clean engine oil and tighten until the seal makes contact.
 - Using an oil filter strap wrench, tighten the filter an additional 270 degrees.
 7. Remove the 4 bolts and the oil filter adapter.
 - To install, tighten to 25 Nm (18 lb-ft).
 8. **NOTICE: Do not use metal scrapers, wire brushes, power abrasive discs or other abrasive means to clean the sealing surfaces. These may cause scratches and gouges resulting in leak paths. Use a plastic scraper to clean the sealing surfaces.**

Remove and discard the oil filter adapter gasket.

 - Clean the sealing surfaces with silicone gasket remover and metal surface prep. Follow the directions on the packaging.
 - Inspect the mating surfaces.
 9. To install, reverse the removal procedure.
 - Fill the engine with clean engine oil.
 10. Fill and bleed the engine cooling system. For additional information, refer to [Section 303-03A](#).
-